

Set "DIN Rail Module DRM45 + Modul Cat.6/s"

**DESCRIPTION**

DIN Rail Module DRM45 and one connection module RJ45.

Color: light gray (RAL 7035).

Material: plastic (PC-GF10).

SCOPE OF SUPPLY

- DIN Rail Module DRM45
- Cat. 6 connection module, RJ45/s incl. EMC cover and dust cover
- Labeling strip
- Instruction manual

TENDER

Top hat rail patch panel for one RJ45 port, SC-RJ or E-2000™ Compact, polycarbonate, integral shield termination, complying with standard DIN EN 50022 for 35-mm top hat rails and standard DIN 43880 for built-in equipment for electrical installations, designed to accommodate the R&M security and the R&M environment system. The security system's 3-level protection concept comprises optionally visual coding, combined mechanical-visual coding or the locking of individual ports. And one shielded RJ45 connection module of Category 6, for the setting up of transmission channels of class E and class EA (and Category 6/Category 6A) with up to 4 plugged connections, and class F on 2 pairs, complies with Category 6 requirements of the standards ISO/IEC 11801 ed. 2.2, June 2011, EN 50173-1, May 2011 (DIN EN 50173-1) as well as TIA 568-C, de-embedded tested in acc. with IEC 60603-7-5, interoperable and backwards compatible with Category 5e and Category 5.

Suitable for 10GBASE-T applications in acc. with IEEE 802.3™ Section Four up to 500 MHz and 100 m.

Tested on the basis of the R&M production control including 100% routine test plus permanent quality assurance through the "GHMT PREMIUM Verification Program" including certificate and test report acc. to DIN EN ISO/IEC 17025, in German language.

Compatible with RJ standard plugs (RJ11, RJ12, RJ45), PCB-free and tool-free Easy-Lock connection of installation cables AWG 24 22 (0.5 mm 0.65 mm) and flexible cables AWG 26/7 AWG 22/7. Parallel pair termination without crossover in acc. with TIA 568-A/B, gold-plated bronze contacts for >1000 mating cycles, IDC contacts with single-wire strain relief and >20 insertion cycles, contact resistance <50 mOhm, dielectric strength >1000 Veff. Shield contacting by patented shield lance with integral cable strain relief, shield material tin-coated bronze, ground contacting through 2 contact fingers for flat connectors 4.8 x 0.5 mm.

Material: halogen-free and heavy-metal free in acc. with EU directives RoHS 2.



















Connection module Category 6, shielded, with EMC cover, dust cover, mounting plate, cable tie and installation instructions.

Features:

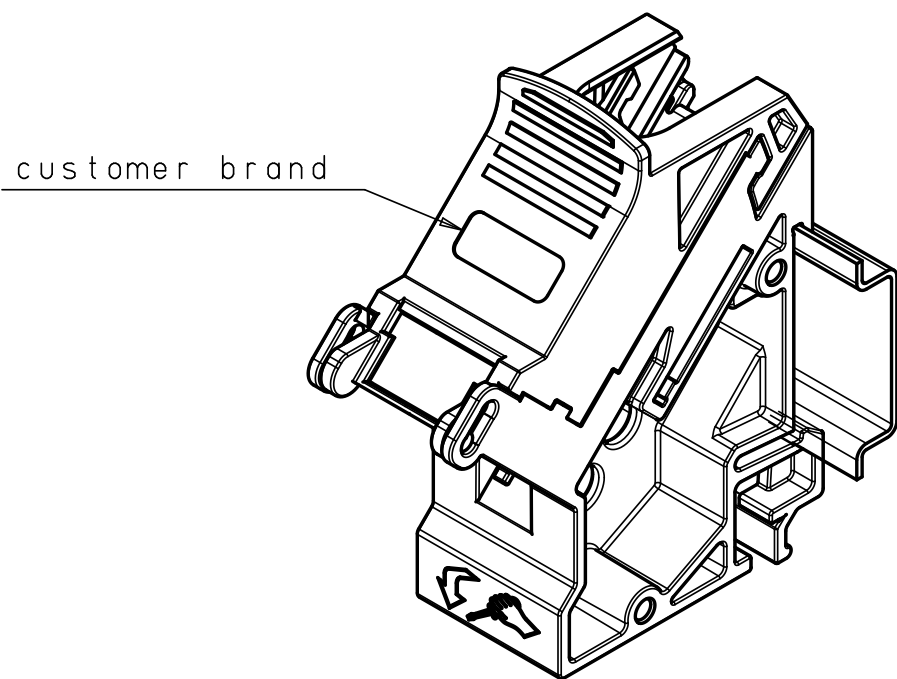
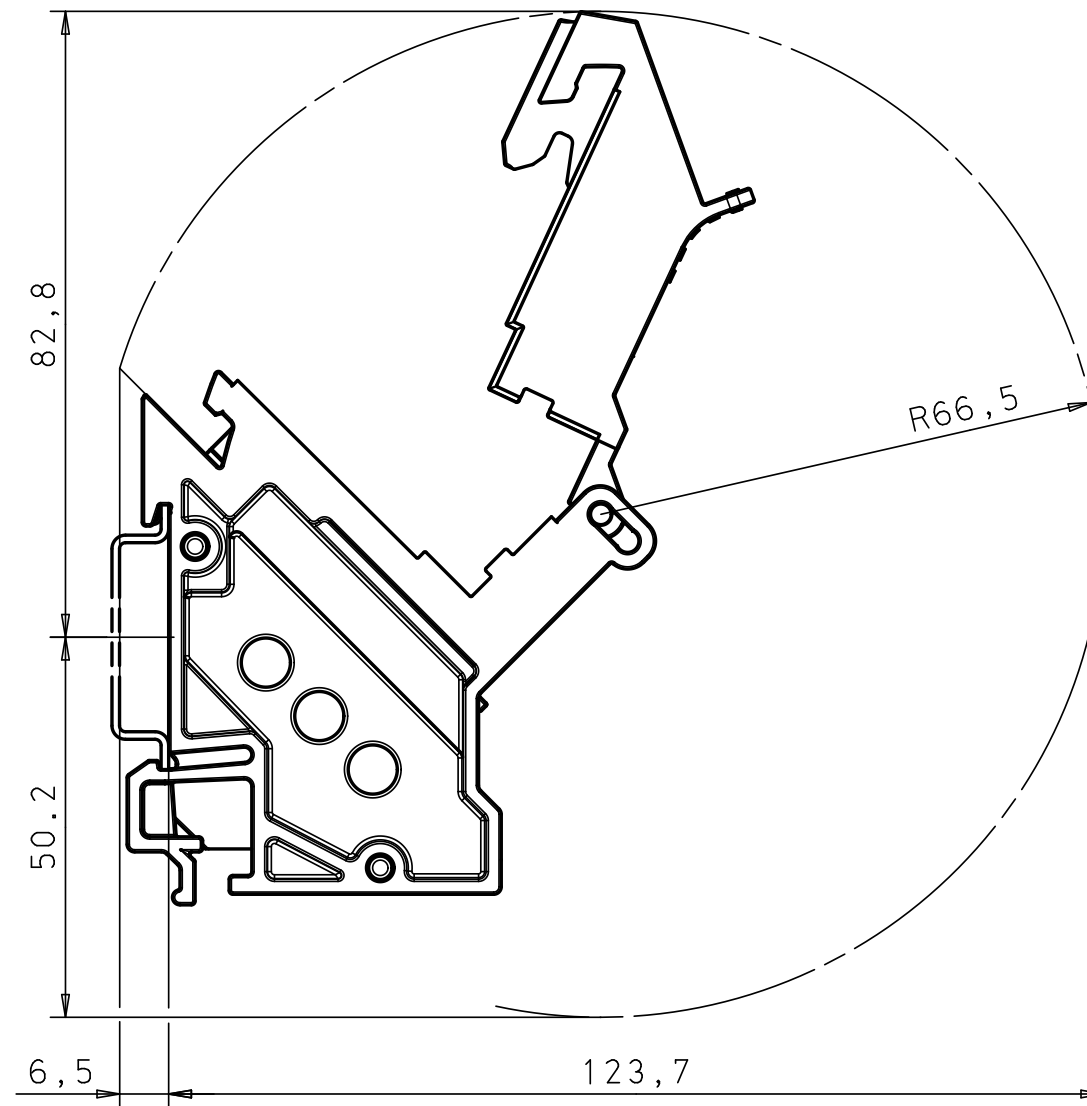
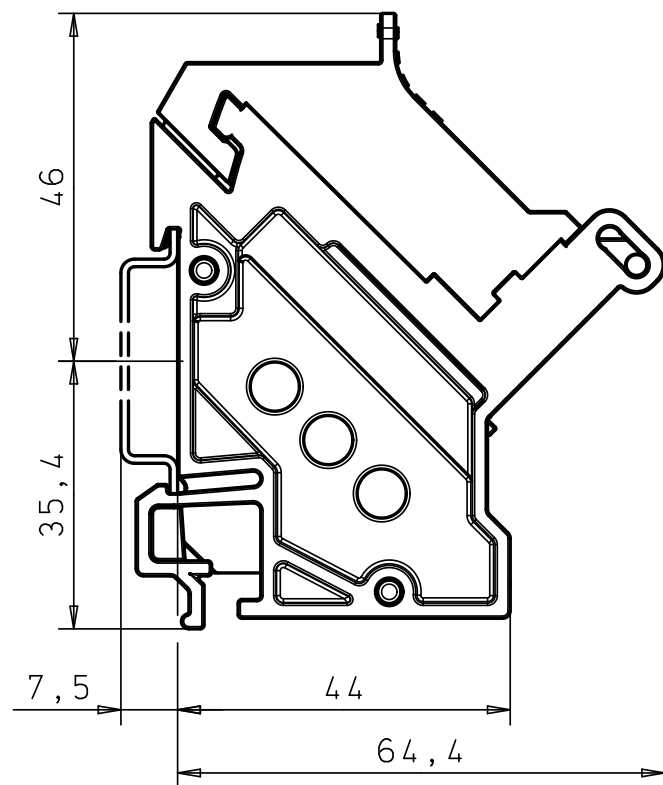
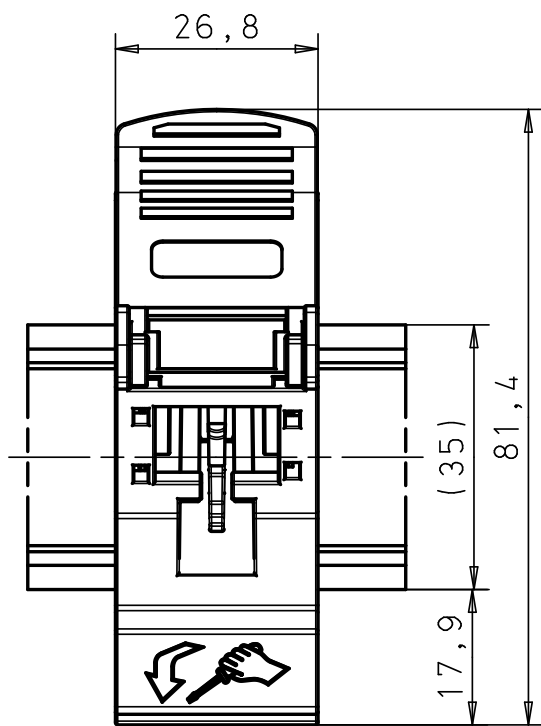
- Protection class: IP20 acc. to IEC 60529
- Temperature range: -10°C to +60°C
- Color: light gray (RAL 7035)

ACCESSORIES

Type	Picture	Description	Article	E-Number
------	---------	-------------	---------	----------

Type	Picture	Description	Article	E-Number
Accessories		Plug Guard Security Level 3 universal IP2 R304825		
Accessories		Plug Guard Security Level 3 universal IP2 R304826		
Accessories		Plug Guard Security Level 3 universal IP2 R304827		
Accessories		Hinged Dust Cover Security Level 1 unive R305685		
Accessories		Hinged Dust Cover Security Level 1 unive R305686		
Accessories		Hinged Dust Cover Security Level 1 unive R305687		
Accessories		Hinged Dust Cover Security Level 1 unive R305688		
Accessories		Hinged Dust Cover Security Level 1 unive R305689		
Accessories		Hinged Dust Cover Security Level 1 unive R305690		
Accessories		Hinged Dust Cover Security Level 1 unive R305691		
Accessories		Hinged Dust Cover Security Level 1 unive R305692		
Accessories		Hinged Dust Cover Security Level 1 unive R305693		
Accessories		Splash Cap Security Level 1 universal IP R306058		
Accessories		Splash Cap Security Level 1 universal IP R306060		
Accessories		Splash Cap Security Level 1 universal IP R306061		
Accessories		Splash Cap Security Level 1 universal IP R306062		
Accessories		Splash Cap Security Level 1 universal IP R306063		
Accessories		Blind Cover Universal, white	R925719	

We reserve all rights to this document. The recipient acknowledges this and shall not without our written consent disclose them to any third party and be used for the indicated purpose only.



Angewandte Norm DIN 43880
Gerätebaugröße 1 (ausgenommen Mass h3=46mm)

Applied Norm DIN 43880
Apparatus installation size 1 (excepted measure h3=46mm)

Material	-	Tolerance to	-			
Treatm.	.	Last CH.	22.06.2006			
Colour	.	Dok.No	ZT 059 7653	Mk		
Note	.	Weight	.			
Description DRM45 Kundenzeichnung DRM45 Customer Drawing	Type	ST	Scale	Drwgn	22.02.2006	Mk
			1:1	Appr	22.02.2006	Pg
			.	Seen	22.02.2006	Gt
			Form	A3	Pg	1(1)
 Reichle & De-Massari AG Binzstrasse 31 CH-8622 Metzikon Switzerland Telephone +41 44 933 81 11 Telefax +41 44 930 49 41		Art No	.	80545-7	Index	b
					Version	