



DESCRIPTION

The module is designed only for the Keystone outlets.



SCOPE OF SUPPLY

- RJ45 Cat. 6 connection module, unshielded, with Keystone adapter
- Dust cover
- Cable tie
- Installation instructions

TENDER

RJ45 connection module of Category 6, for the establishing of transmission channels of class E with up to 4 plugged connections, complies with Category 6 requirements of the standards ISO/IEC 11801, EN 50173-1, (DIN EN 50173-1) as well as TIA/EIA 568.2-D, de-embedded tested in acc. with IEC 60603-7-4, interoperable and backwards compatible with Cat. 5e and Cat. 5.

Suitable for 10GBASE-T applications in acc. with IEEE 802.3™ Section Four up to 500 MHz and 55 m.

Tested on the basis of the R&M production control including 100% routine test.

Compatible with RJ standard plugs (RJ11, RJ12, RJ45), PCB-free and tool-free Easy-Lock connection of installation cables AWG 26 22 (0.4 mm 0.65 mm) and flexible cables AWG 26/7 AWG 22/7. Parallel pair termination without crossover in acc. with TIA 568-A/B, gold-plated bronze contacts for >1000 mating cycles, IDC contacts with single-wire strain relief and >20 insertion cycles, contact resistance <50 mOhm, dielectric strength >1000 Veff. With integral cable strain relief, including dust cover.

Supports PoE (IEEE 802.3af), PoEP (IEEE 802.3at), 4Ppoe (IEEE 802.3bt) and is compatible to IEC 60512-99-001/002.

Material: halogen-free and heavy-metal free in acc. with EU directives RoHS 2.

Connection module Cat. 6, unshielded, with dust cover, Keystone adapter, cable tie and installation instructions.

FEATURES

- As part of a Category 6 channel, the connection module exceeds the minimum requirements of the IEEE 802.3™ Section Four standard on 10GBASE-T performance, as well as the requirements for Class EA performance acc. to ISO/IEC 11801 and Category 6A performance according to TIA 568.2-D
- Exceeds Category 6 specifications acc. to ISO/IEC 11801, EN 50173 and TIA 568.2-D in the entire admissible range
- Maximum reliability through special contact design without internal transfer points
- Capacitive and inductive compensation
- 3P and UL certified

TECHNICAL DATA

DESCRIPTION	VALUE / VALUE RANGE
Category connector (A)	Cat. 6


Connector type (A)	RJ45
Shielding connector (A)	unshielded
Protection class IP	IP 20
PoE	Yes
PowerSafe	Yes
Connector class	connection module
Wiring diagram	T568A and T568B
Holder for connector / module	Keystone adapter
Poles	8

MECHANICAL DATA

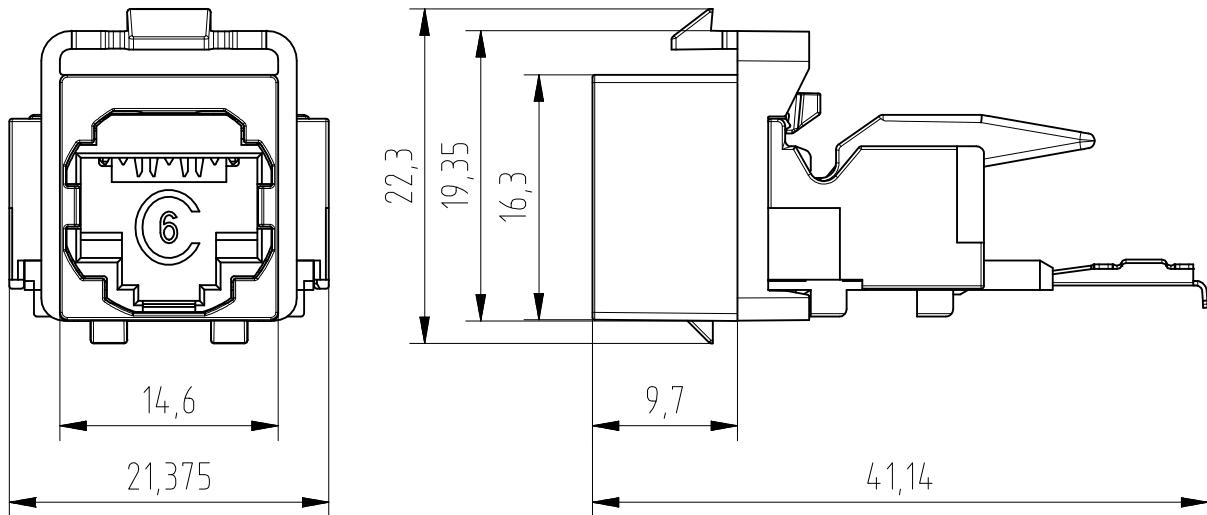
DESCRIPTION	VALUE / VALUE RANGE
Dimensions	17.0 mm x 21.5 mm x 41.0 mm / 0.669 in x 0.846 in x 1.614 in (W x H x D)
Color	blue
Material	plastic: PC, UL 94 V-0

ELECTRICAL DATA

DESCRIPTION	VALUE / VALUE RANGE
Standard	EN 50173-1 IEC 60603-7: Electrical Characteristics of the Telecommunication Outlets ISO/IEC 11801 UL Listed

	Neutrik-Keystone-Adapter, cost. dr.			Item Number:
	Neutrik-Keystone-Adapter, Kundenz.			2000081
Document status:	EngReleased	Prep: Me	Date: 30.04.2014	Revision: A
Department:	000	Appr: Sb	Date: 05.05.2014	Page: 1/1
Document type:	_-07 Customer Drawing-Datasheet			

Darstellung abgeleitet von Engineering Assembly 523154
View deduced from engineering assembly 523154



Ausschnitt in der Frontplatte
Cut out in the face plate

Ausschnitt für die Verklüpfung
Cut out for the clipping

