

GENEL TOLERANSLAR
DIN ISO 2768-m

OLCU
TOL.

>0-6
±0.1

>6-30
±0.2

>30-120
±0.3

>120-400
±0.5

>400-1000
±0.8

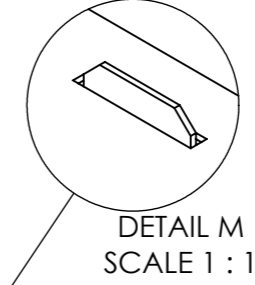
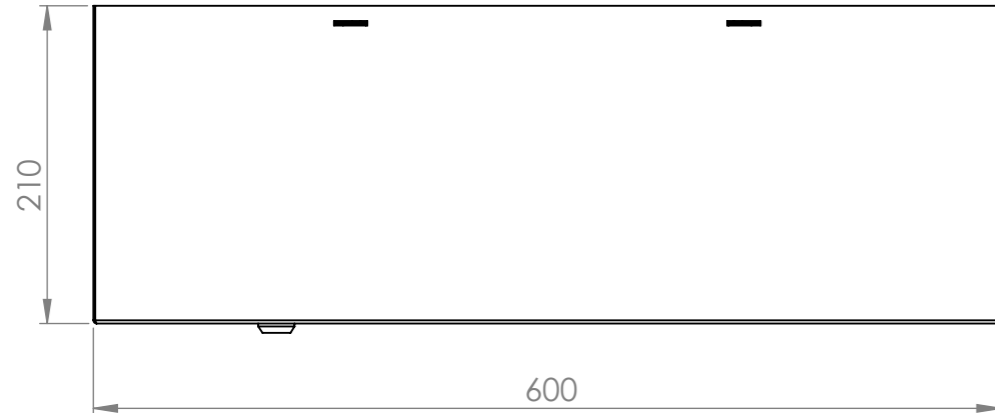
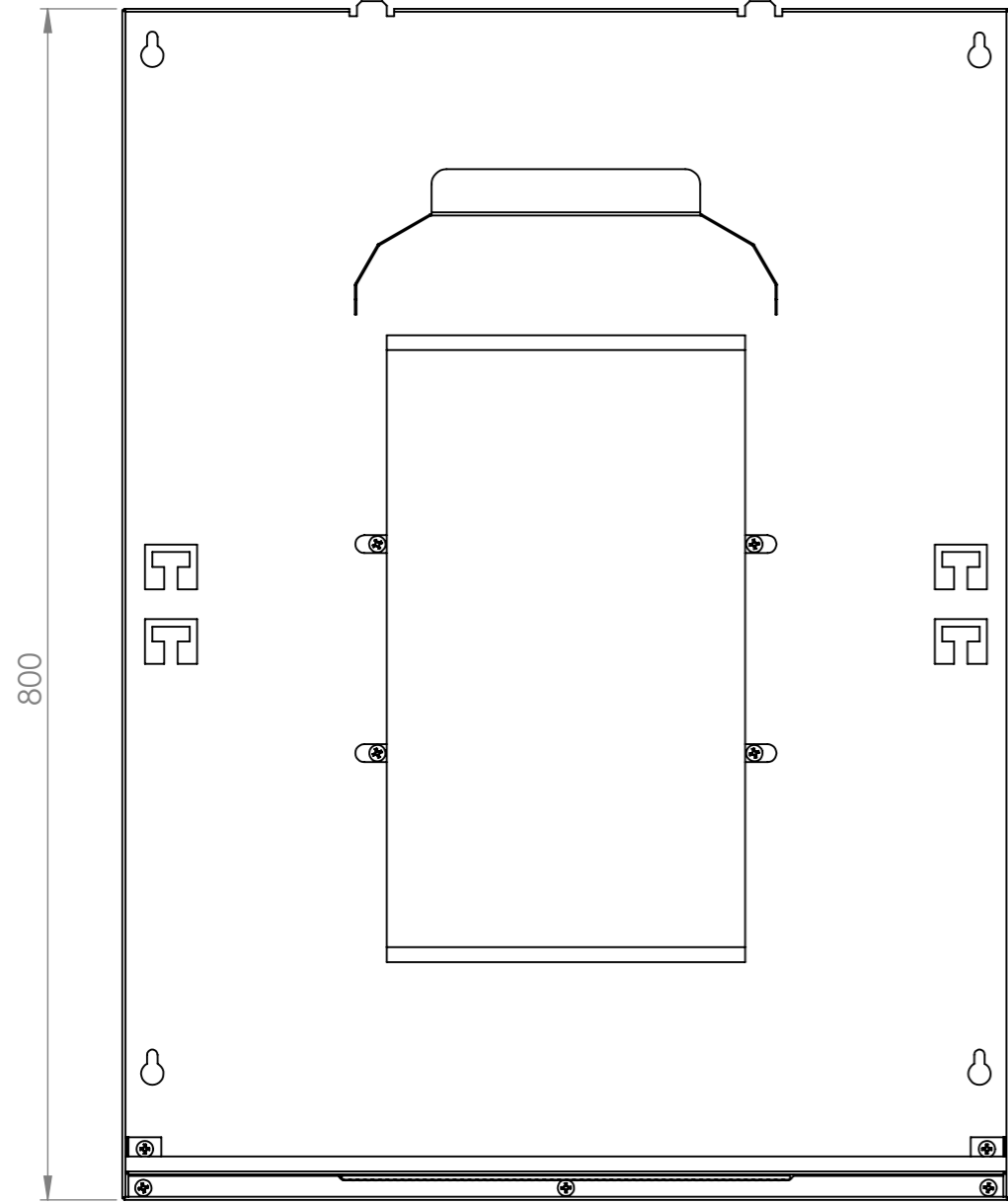
>1000-2000
±1.2

>2000-4000
±2

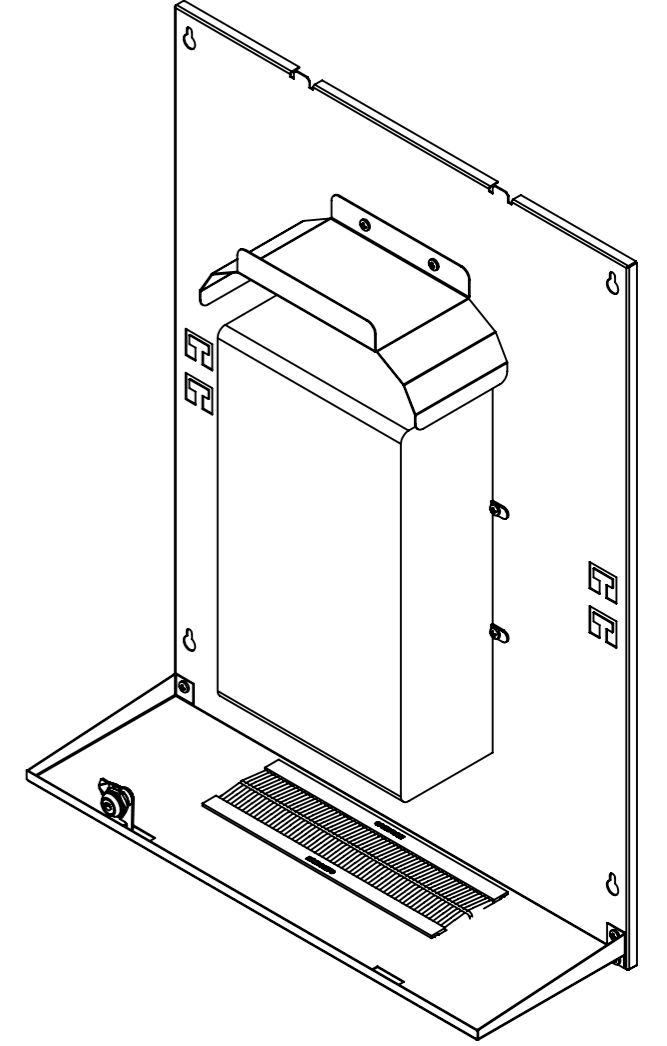
REVISIONS

ZONE	REV.	DESCRIPTION	DATE	APPROVED
	A	İLK ÜRETİM	19.07.2023	

The contents of this document are property of ALCADON and should not be copied, reproduced or disclosed to a third party without written consent of the proprietor



LOCK



Alcadon

KOD TABLOSU		UNLESS OTHERWISE SPECIFIED: DIMENSIONS ARE IN MILLIMETERS			FINISH:		TITLE:	
BOYA	B	RAL 7035 G	Surface finish: μ Linear : DIN 7168-m Angular : DIN 7168-m Hole : DIN 7168-m				FIBER BOX	
	N	RAL 9005						
MONTAJ	M	RAL 7035 Q	DRAWN		19.07.2023	MATERIAL: Thickness mm	DWG NO. M23-074-01	A3
	S	RAL 9005	MFG		19.07.2023			
			CHK'D					
		Q.A				WEIGHT: 24922.40 Kg	SCALE:1:5	SHEET 2 OF 2