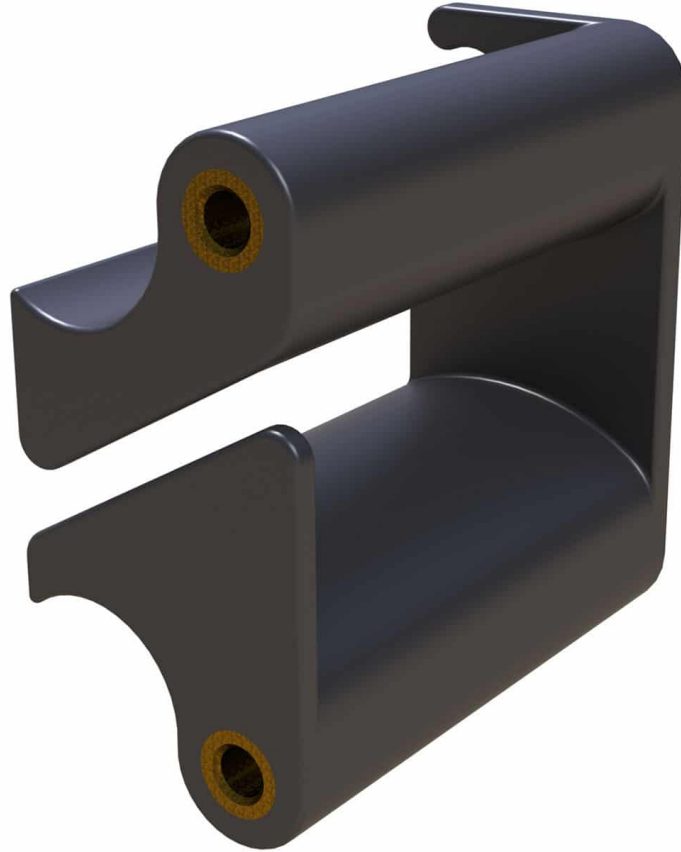


1RU Fiber Management Guide



Description

The 1RU fiber management guide can be retrofitted to any standard 1RU panel quickly and easily, its design is such that it protects the bend radius of exiting patch cords at all times, the ability to fit the guide to any existing installation gives great flexibility, plus adds protection and improved cable management.

Features and Benefits

- Fits to most 1RU panels
- Left and Right mountable
- Protects Bend radius

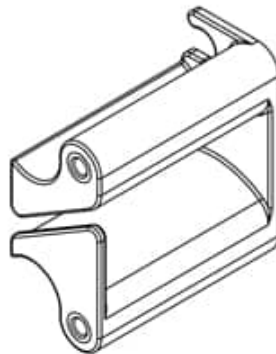
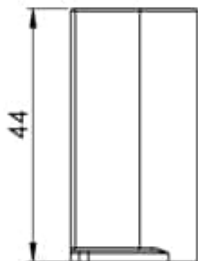
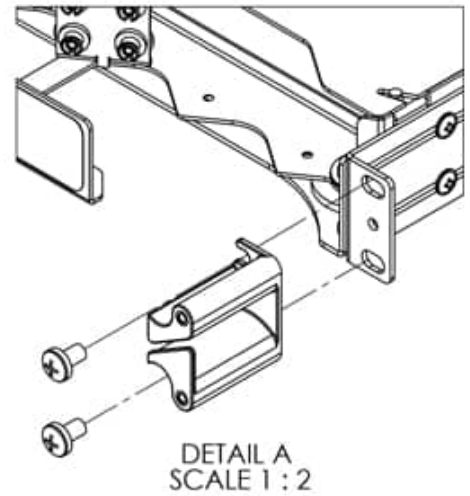
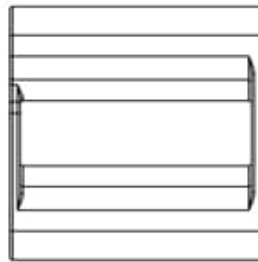
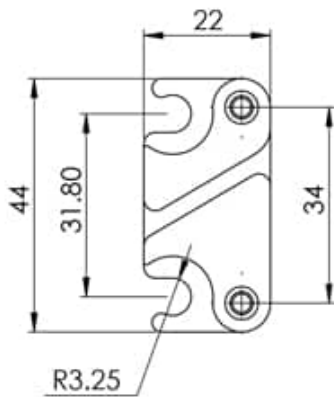
Applications

- Data centers, premise installations, telecommunication networks
- Data communication
- Ethernet, Fiber Channel, ATM, LAN, MAN and WAN
- Indoor / outdoor applications

Specifications

ELEMENT	CHARACTERISTIC
Height (mm)	44
Width (mm)	22
Depth (mm)	44
Sales unit	pack of 10
Material	Flame retardant plastic
Colour	Dark Grey RAL 7015 Grey RAL 7035
Operating temperature (°C)	-40 to +60
Designed in accordance with	TIA/EIA 568.C, ISO/IEC 11801, EN50173, IEC60304, IEC61754,
Materials Compliant to	RoHS, Reach/SVHC

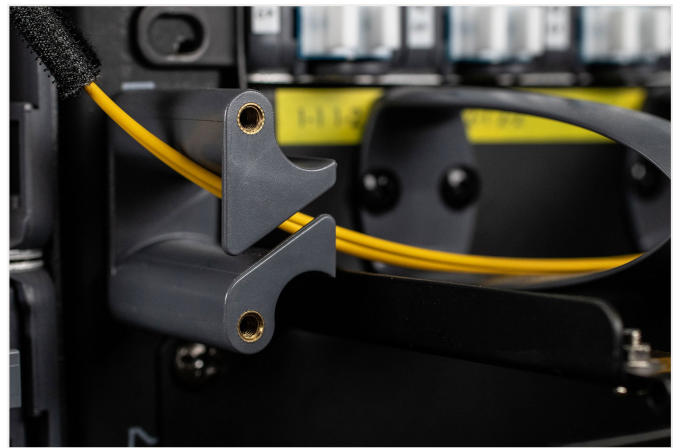
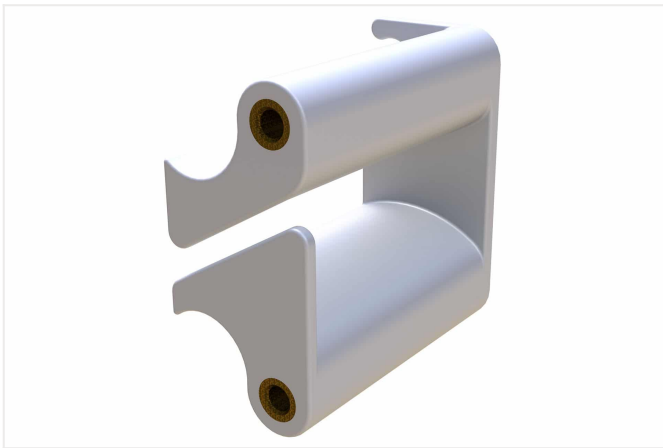
Technical Drawing



Ordering Information

PART NUMBER	DESCRIPTION
FG02X10PK	1RU Fiber Guide Dark Grey RAL 7015 10PK
FG03X10PK	1RU Fiber Guide Light Grey RAL 7035 10PK

Additional Images



Related Products

