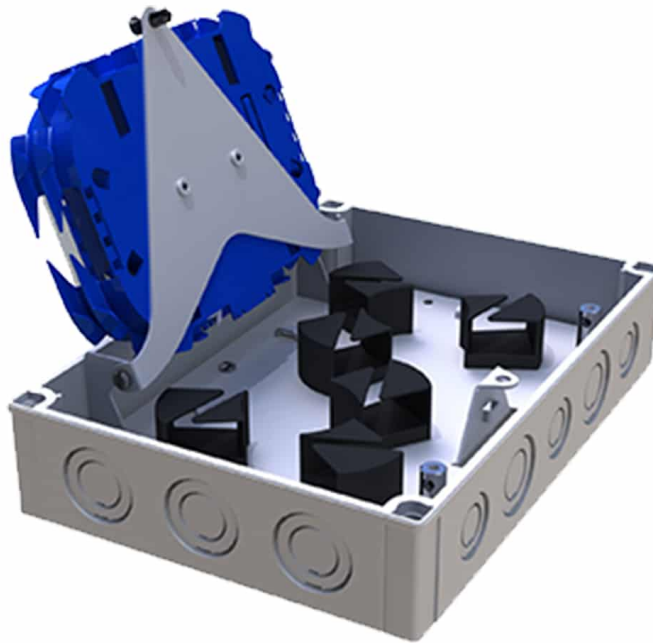


IP66/67 Splice and Pass Through Enclosure



Description

This IP66/67 splice and Pass Through enclosure offers the ability to terminate up to 48 fibers housed in a robust ABS enclosure for indoor and outdoor applications. With the multiple gland entry point this enclosure offering a flexible solution that maintains the bend radius of the fibers at all times, also included is the new speedway splice tray making this enclosure easy to access during installation or re-work with no disturbance of the existing cable or fibers.

Features and Benefits

- Removable cover for easy access
- Raised hinged splice trays enable improved access for working
- All fibers are managed to a 30mm minimum bend radius
- Flammability rated to UL746C
- 4 x strain tie points and cable ties included
- 2m of transit tubing included
- 4 x Cable glands included
- Unit manufactured from UL508 rated material
- Up to 48 heat shrink splices
- Multiple cable entry points
- Integrated fiber management
- Wall fixing screws included
- 48 x Heat shrink splice protectors included

Applications

- External / Internal application
- For use in multi dwelling units or demarcation points within a network
- Data Centre or telecommunications networks

Specifications

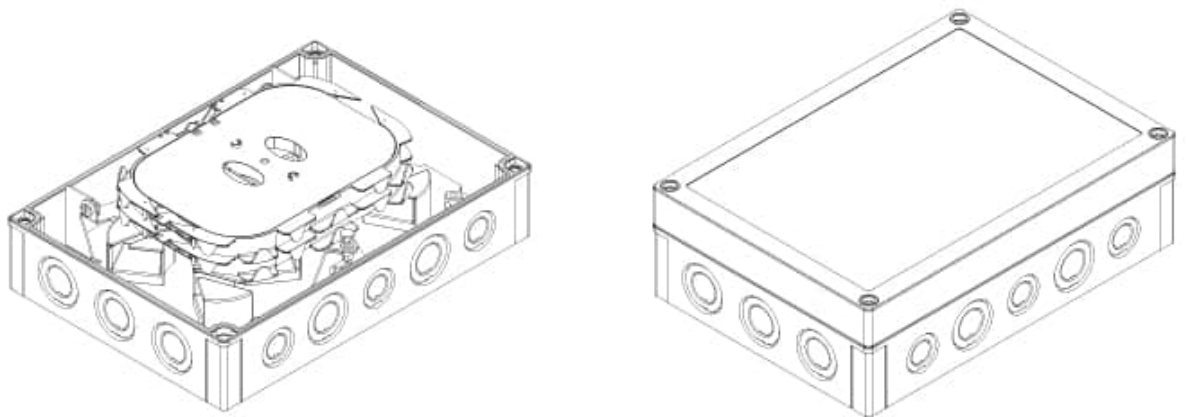
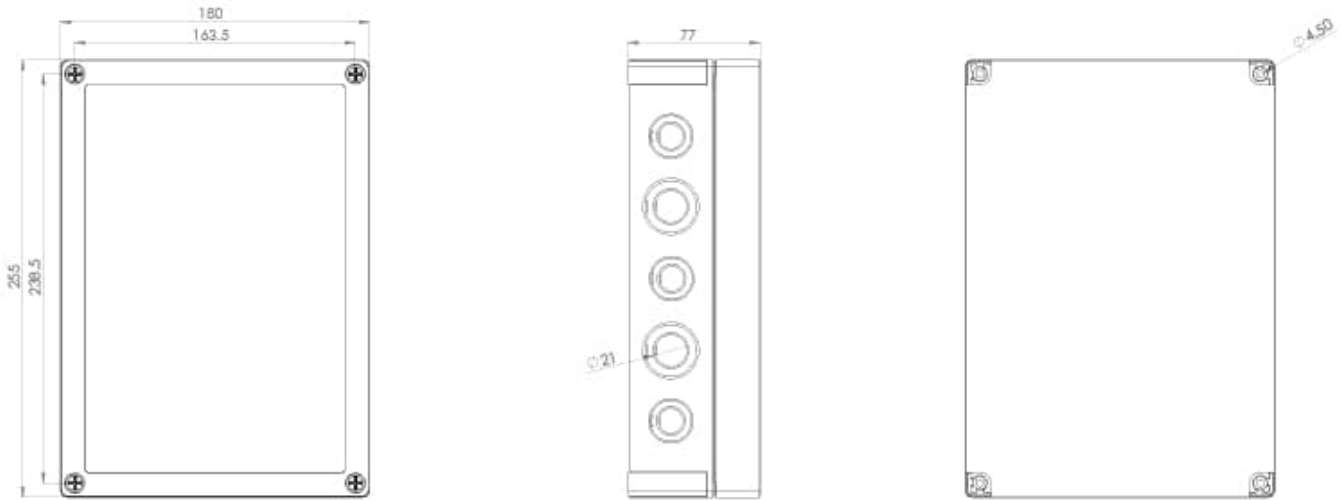
DIMENSIONS

Length (mm):	255
Width (mm):	180
Height (mm):	77
Weight	1.6kgs

PRODUCT SPECIFICATION

Material	Polycarbonate
Base color	RAL 7035
Cover color	RAL 7035
Cover screws material	Polyamide
Cover screws color	Grey
Gasket material	TPE
Min temperature °C (short term)	-40
Max temperature °C (short term)	120
Min temperature °C (continuous)	-40
Max temperature °C (continuous)	80
Min temperature °F (short term)	-40
Max temperature °F (short term)	250
Min temperature °F (continuous)	-40
Max temperature °F (continuous)	175
Ingress Protection (EN 60529)	IP 66/67
Impact Resistance (EN 62262)	IK 08
Electrical insulation	Totally insulated
Halogen free (DIN/VDE 0472, Part 815)	Yes
UV resistance	UL 508
Flammability Rating (UL 746 C 5)	UL 746C 5V
Glow Wire Test (IEC 695-2-1) °C	960
NEMA Class	NEMA 1, 4, 4X, 6, 12, 13

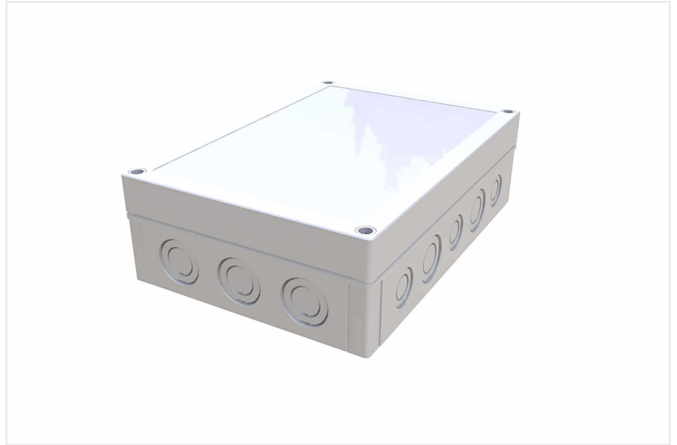
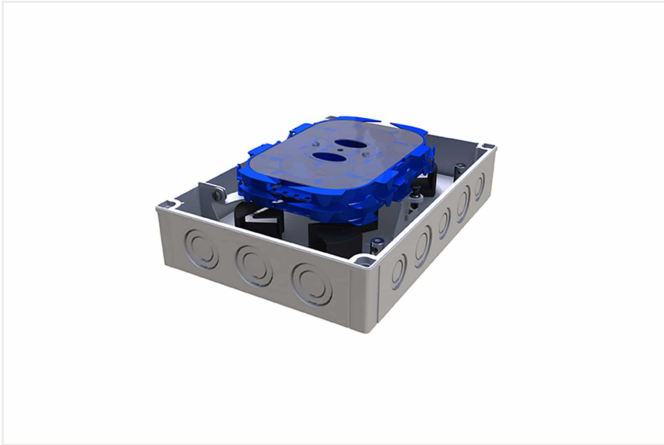
Technical Drawing



Ordering Information

PART NUMBER	DESCRIPTION	LEGACY PART NUMBER
FXWCXXDXXX-05ZZ	IP Rated Wall Box Grey 7035 IP66/67 Splice Passthrough up to 48F	IP66BOX

Additional Images



Related Products



SLT STA with E-Glass