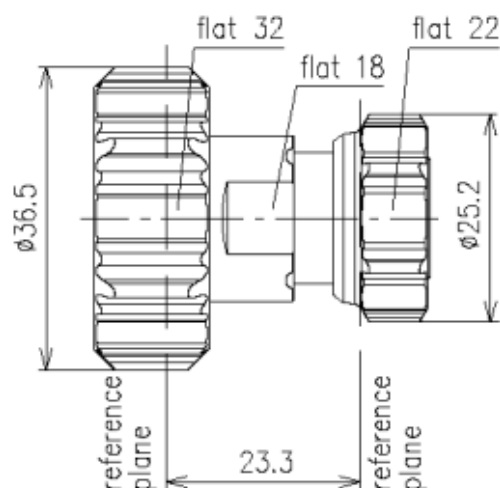




Coaxial Adapter, 7-16 Male / 4.3-10 Male

**FEATURES / BENEFITS**



**Technical features**

**STRUCTURE**

|              |  |                          |
|--------------|--|--------------------------|
| Product Line |  | Coaxial Cable Components |
| Product Type |  | Coaxial Adapter          |

**MECHANICAL SPECIFICATIONS**

|                            |  |                                |
|----------------------------|--|--------------------------------|
| Connector A                |  | 7-16 DIN Male                  |
| Center Contact Connector A |  | Brass, Silver plated           |
| Outer Contact Connector A  |  | Brass, Tri metall alloy plated |
| Connector B                |  | 4.3-10 Male                    |
| Center Contact Connector B |  | Brass, Silver plated           |
| Outer Contact Connector B  |  | Brass, Tri metal alloy plated  |
| Dielectric                 |  | PTFE                           |
| Gasket                     |  | Silicone rubber                |
| Sealing class              |  | IP68, connected                |

**ELECTRICAL SPECIFICATIONS**

|                                   |           |   |
|-----------------------------------|-----------|---|
| Frequency Range - MHz             |           | DC - 6000   |
| VSWR, Return Loss                 | VSWR (dB) | DC - 2000 MHz: 1.04 (34.15)<br>2000 - 3000 MHz: 1.06 (30.71)<br>3000 - 6000 MHz: 1.10 (26.44) |
| Insertion Loss, dB (Max)          | dB        | 0.05  |
| 3rd Order IM Product @ 2x20 Watts | dBc       | < -163  |

**TEMPERATURE SPECIFICATIONS**

|                       |         |                        |
|-----------------------|---------|------------------------|
| Operation Temperature | °C (°F) | -45 to 85 (-49 to 185) |
|-----------------------|---------|------------------------|

**PACKAGING INFORMATION**

|                  |  |   |
|------------------|--|---|
| Package Quantity |  | 1 |
|------------------|--|---|

[External Document Links](#)

[Notes](#)