

## U-Series Splice Cassette



## Description

The AFL Hyperscale U-Series Splice Cassette brings installer or site engineer convenience to the field. With up to 24 splice positions, all cassettes are pre-loaded with either easy-strip or tight buffer premium grade pigtails.

## Features and Benefits

- Available with 24 LC or 12 SC premium grade pigtails pre-loaded
- Up to 12.5mm cable diameter entry
- Single splicing
- Ultra Physical Contact (UPC) and Angled Physical Contact (APC) pigtails (SM only) and adapters available

## Applications

- Data center
- LAN
- Central Office/ POP
- Enterprise / Campus
- Telecommunications

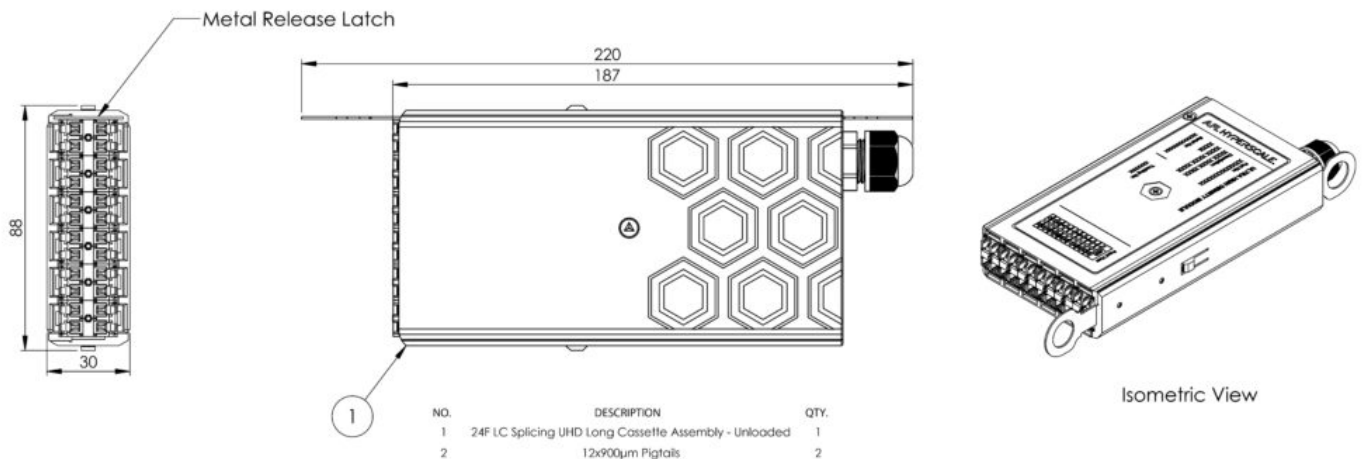
## Specifications

Element	Characteristic
Adapters	LC (QUAD) - 24f cassette; Body Color: Aqua (MM), Blue (SM/UPC), Green (SM/APC) LC(DX) - 12f cassette; Body Color: Beige/Aqua (OM1&2/OM3&4), Blue (SM/UPC), Green (SM/APC) SC(DX) Body Color: Beige/Aqua (OM1&2/OM3&4), Blue (SM/UPC), Green (SM/APC)
Fiber counts	12f (SC), 24f (LC)
Cable rear entry	1 x OD 12 mm
Cassette material	ABS CR4 Steel
Cassette color	Black
Cassette weight packaged (unloaded/loaded)	0.27kg/0.35kg
Cassette dimensions	135mm (W) x 45mm (D) x 280mm (H)
Suggested splice protectors	SPLICE45CLEAR3MM - 45mm Splice Protector - Clear - 3mm Dia
Fiber types	SM 9/125 G.657A1, MM 50/125 OM3/OM4
Operating temperature	-20°C to +60°C
Storage temperature	-20°C to +60°C
Materials compliant to	RoHS, Reach / SVHC

## Connector Specification

Optical Performance	MM Premium	SM Premium	Conformance
IL Max/Master (Acceptance)	0.15dB	0.15dB	IEC 61300-3-4
Ave/Master	0.08dB	0.12dB	IEC 61300-3-4
Ave/Random	0.10dB	0.12dB	IEC 61300-3-34

## Technical Drawing



## Ordering Information

Part Number	Description
A7UD12BPAX-01AK	U-Series Splice Cassette Black Premium LC SM G.657A1 12F (EZ Pigtailed)
A4UD12BPAX-01AK	U-Series Splice Cassette Black Premium LC MM OM4 12F (EZ Pigtailed)
A7UD24BPAX-01AK	U-Series Splice Cassette Black Premium LC SM G.657A1 24F (EZ Pigtailed)
A4UD24BPAX-01AK	U-Series Splice Cassette Black Premium LC MM OM4 24F (EZ Pigtailed)

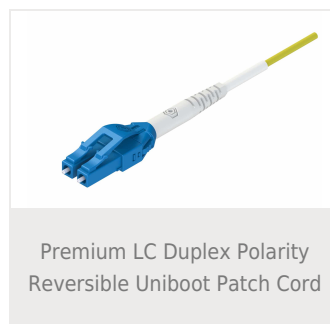
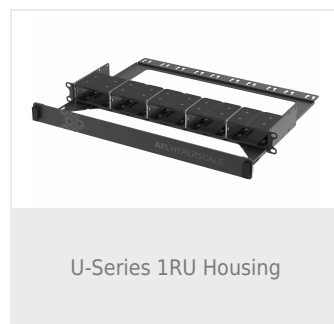
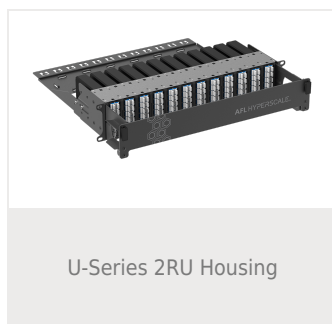
## Regional Availability

USA	EMEA	INDIA	APAC (excluding India)
+1-866-814-8615 usasales@afllhyperscale.com	+44 1908 441 144 emeasales@afllhyperscale.com	+91 80 46874687 indiasales@afllhyperscale.com	+86 755 2561 3694 apacsales@afllhyperscale.com

## Additional Images



## Related Products





FOCIS Flex Fiber Scope



FlexScan® FS200 OTDR