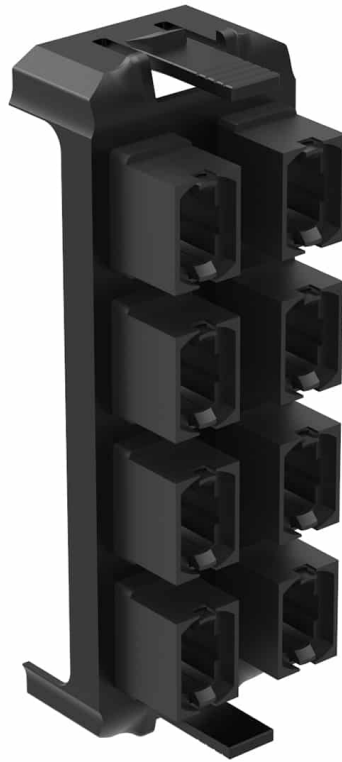


## U-Series MPO Adapter Plate



### Description

U-Series MPO adapter plates are used to interconnect MPO trunks, patch cords, or ruggedized MPO fanouts. The MPO adapter interface reduces rack space usage. Substituting an MPO cassette with an adapter plate reduces the number of interconnections and improves both power budgets and network economics. There are up to 12 MPO adapters per plate with the option to house 5 adapter plates in U-Series 1RU housings and 12 adapter plates in U-Series 2RU housings. Available in both KeyUp/Key-Down (Polarity A/C) and Key-Up/ Key-Up (Polarity B).

### Features and Benefits

- Up to 12 MPO adapters per plate
- Key-Up Key-Down adapters (standard polarity A/C)
- 5 adapter plates in 1RU, 12 adapter plates in 2RU
- Key-Up Key-Up adapters (polarity B)

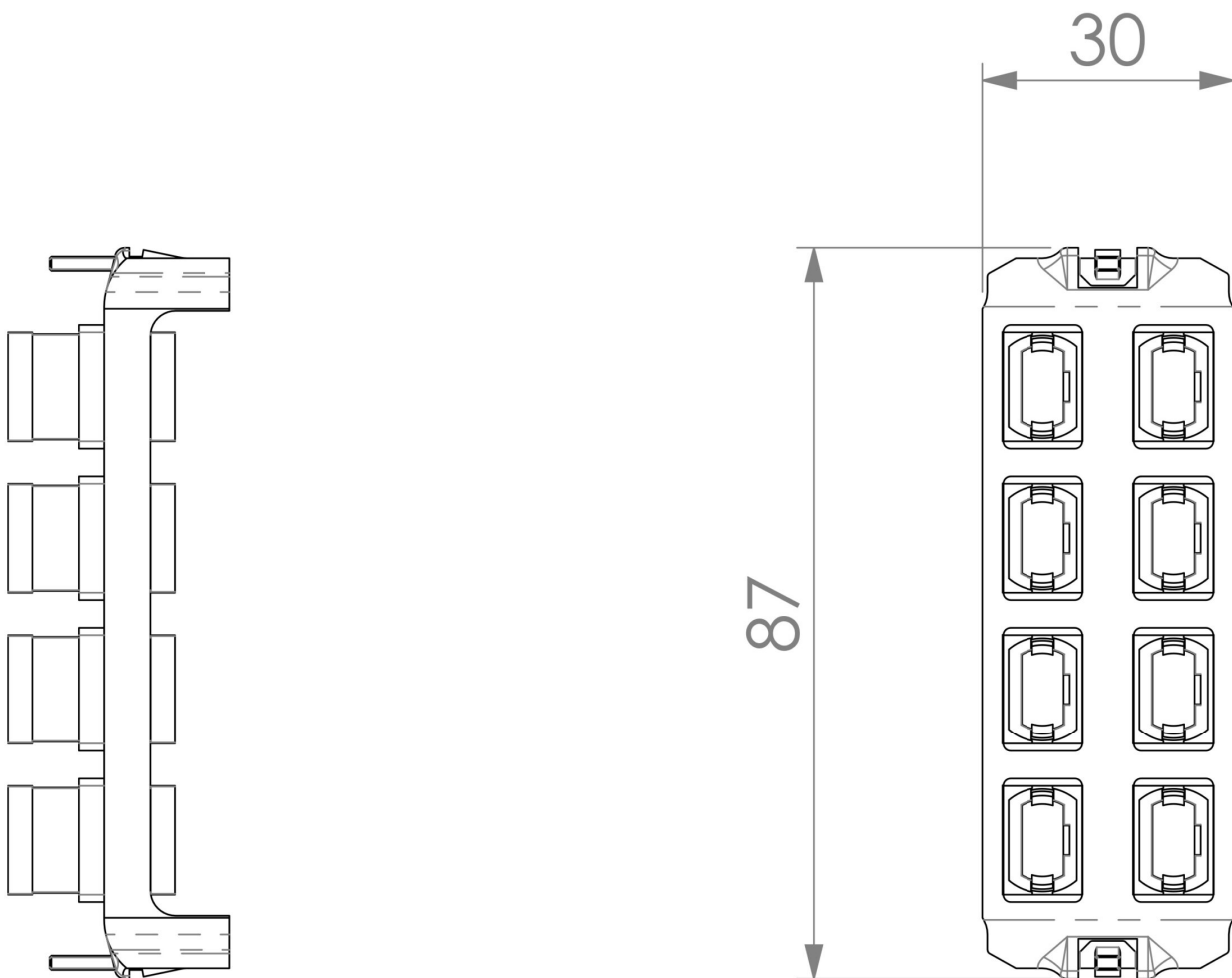
### Applications

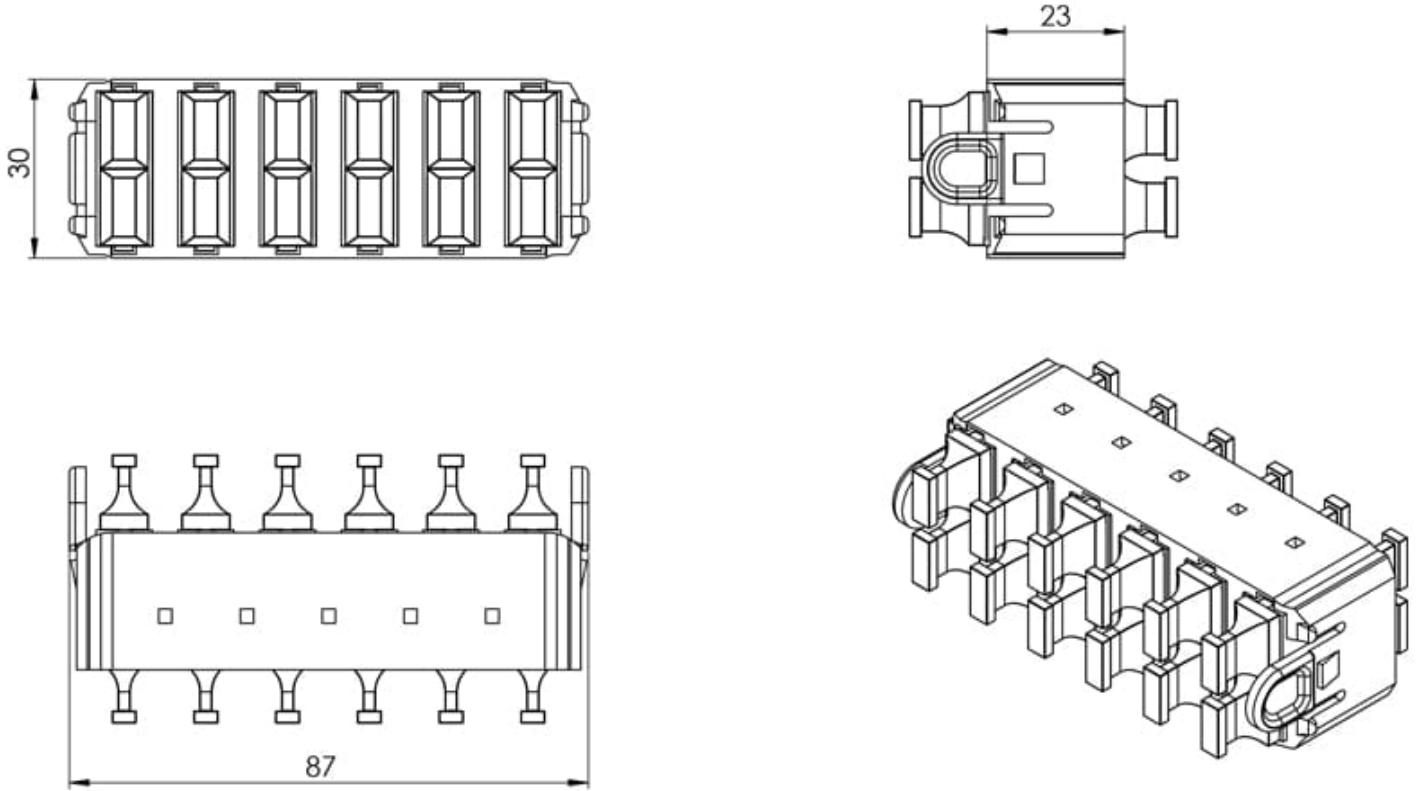
- Data center
- Director switch cabling solution
- Storage Area Networks (SANs)

## Specifications

Element	Characteristic
Fiber counts	8 Port: Minimum 64f / Maximum 192f 12 Port: Minimum 86f / Maximum 288f
Fiber types	SM 9/125 G.657A1, MM 50/125 OM3/ OM4
Material	ABS
Color	Black
Dimensions	30mm (W) x 23mm (D) x 87mm (H)
Operating temperature	-20°C to +60°C
Storage temperature	-20°C to +60°C
Materials compliant to	IEC 61754-7-1:2014 RoHS, Reach / SVHC

## Technical Drawing





## Ordering Information

Code	Fiber Type	Code	Fiber Count	Code	Plate	Polarity
F	N Key Up Key UP Adapters	UB	96 96F (8x12F)	BXUX-	08 8 Port Plate	AD Loaded with adapters
	P Key Up Key Down Adapters		AB 144F (12x12F)		12 12 Port Plate	

## Legacy ordering information

UHD	ADAPTER COUNT	ADAPTER TYPE
UHD	08	A Key-Up Key-Down
	12	B Key-Up Key-Up

## Example Part Number

UHD	08	A
-----	----	---

This part number generator has created an: Ultra High Density Adapter Plate with 8 Key-Up Key-Down MPO Adapters

## Regional Availability

## USA

+1-866-814-8615  
usasales@afllhyperscale.com

## EMEA

+44 1908 441 144  
emeasales@afllhyperscale.com

## INDIA

+91 80 46874687  
indiasales@afllhyperscale.com

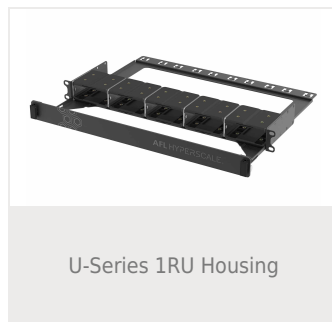
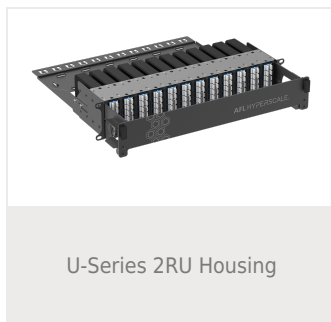
## APAC

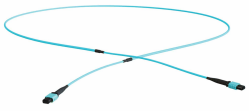
(excluding India)  
+86 755 2561 3694  
apacsales@afllhyperscale.com

## Additional Images



## Related Products





MPO MicroCable Trunk  
Assembly



One-Click® Cleaner MPO



FOCIS Lightning MPO/MTP®  
Fiber Scope