



OMNI FIT™ high performance connectors are designed for use with both CELLFLEX® (copper) and CELLFLEX® Lite (aluminum) cables. They are designed specifically to provide the highest quality connector-cable interface while simplifying and speeding up connector attachment. The 7-16 connector is the most rugged RF connection meeting all requirements even under the most severe environmental conditions.

FEATURES / BENEFITS

- Cost effective two-piece design for safe and easy installation
- Compatible with copper and aluminium cable types i.e. one connector for both outer conductor materials eliminates the risk of faulty connector installation and helps to keep inventory down
- Robust mechanical design for low and consistent intermodulation performance i.e. keeps the mobile network performance up reduces the number of dropped calls and avoids revenue losses
- Superior electrical performance for consistent and repeatable VSWR i.e. ensure network system performance
- Waterproof to IP 68 i.e. no downtime risk, secures revenue
- RoHS (EU) and CRoHS (China) compliant i.e. can be used on a global basis



716M-LCF78-C03

Technical features

GENERAL SPECIFICATIONS

Transmission Line Type		Coaxial Cable
Cable Size		7/8
Cable Type		Foam Dielectric
Model Series	LCF78-50 Series	RCF78-50 Series
Connector Interface		7-16
Connector Type		OMNI FIT™ Standard
Sealing Method		O-ring
Gender		Male

ELECTRICAL SPECIFICATIONS

Nominal Impedance, ohms	Ohm	50
3rd Order IM Product @ 2x20 Watts	dBc	-157 ; typical -160
Maximum Frequency	GHz	6.0
VSWR, Return Loss	VSWR (dB)	0 $\leq f \leq 1.0 \text{ GHz}$: 1.03 (36.6) 1.0 $\leq f \leq 2.7 \text{ GHz}$: 1.04 (34.1) 2.7 $\leq f \leq 3.7 \text{ GHz}$: 1.08 (28.3) 3.7 $\leq f \leq 5.0 \text{ GHz}$: 1.15 (23.1) 5.0 $\leq f \leq 6.0 \text{ GHz}$: 1.25 (19.1)

MECHANICAL SPECIFICATIONS

Plating Outer/Inner		Trimetal/Silver
Length	mm (in)	57.9 (2.28)
Outer Diameter	mm (in)	36 (1.42)
Weight	kg (lb)	0.174 (0.384)
Inner Contact Attachment		Spring Finger
Outer Contact Attachment		Spring C-Ring

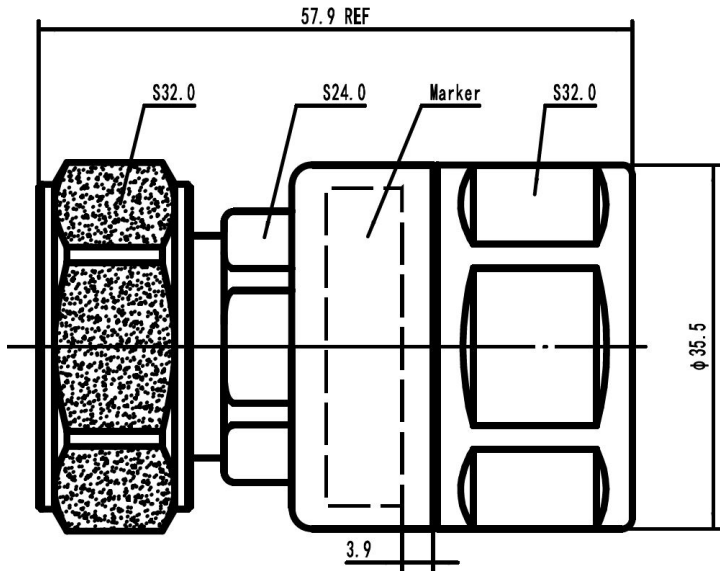


ACCESSORIES

Wrench size front	mm (in)	24 (0.95)
Wrench size rear	mm (in)	32 (1.26)
Trimming Tool		TRIM-SET-L78-C02

TESTING AND ENVIRONMENTAL

Waterproof Level		IP68
------------------	--	------



716M-LCF78-C03 Outline drawing

External Document Links

[Installation Instruction](#)

Notes