

Single mode Attenuators



Description

Attenuators are used in communication systems to reduce optical power launched onto the photo detector. These high performance devices are designed to give accurate attenuation over a wide range of wavelengths. The plug type configuration allows them to be used directly on the end of a patch cord, which in turn can insert directly into an adapter.

Available in FC, SC and LC (short form factor) connector styles with UPC or APC finish and ST and MU connector styles with UPC finish, attenuators providing ultra-low return loss and are available from 0 dB to 30 dB in 1 dB increments.

Features and Benefits

- Plug-in type package
- Ultra-low back reflection
- Flat response over all wavelengths
- Accurate attenuation
- Broad wavelength band
- Environmentally stable

Applications

- Telecommunication networks
- Test and measurement
- LAN and WAN
- Fiber optic sensors
- CATV
- FTTX

Specifications

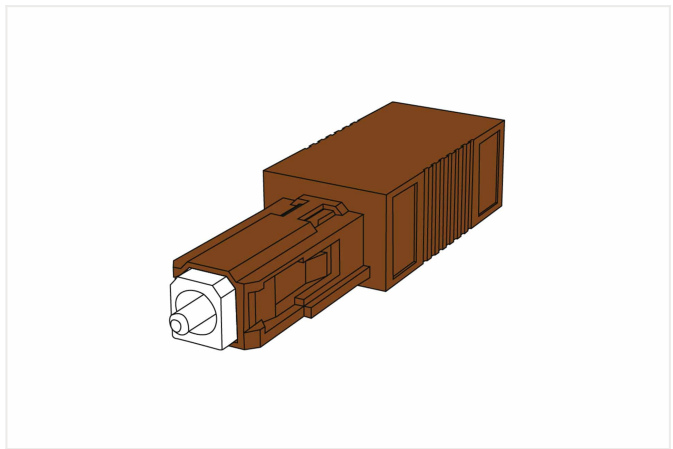
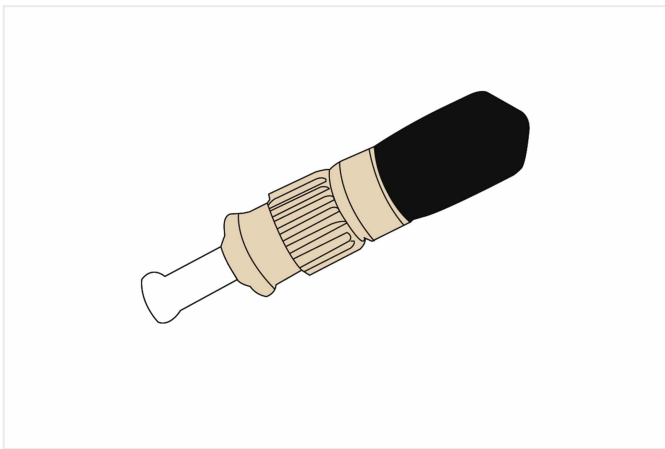
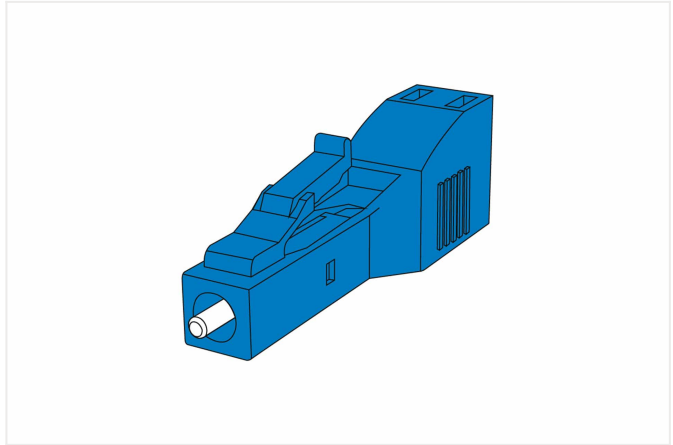
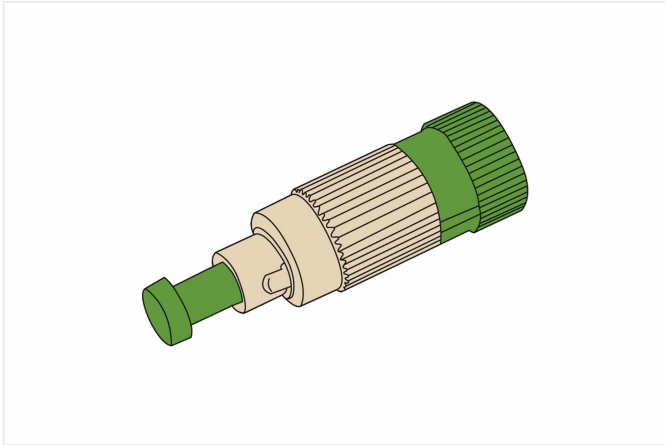
Parameter	
Available Range of Attenuation	1 to 30 dB with 1 dB increments
Operating Wavelength	1310 and 1550 nm
Operating Band Pass	Dual Window 1310 and 1550 nm (± 25 nm)
Attenuators ≤ 10 dB, tolerance	± 0.5 dB
Attenuators 11 to 30 dB, tolerance	± 1 dB
Reflectance	UPC ≥ 50 dB APC ≥ 60 dB
Operating Temperature	-40 °C to + 75 °C
International Standard	Telcordia GR-910-CORE

Ordering Information

PART NUMBER	DESCRIPTION
FASCSxxK	Single mode Attenuator - SC Connector xx dB
FASCASxxK	Single mode Attenuator - SCA Connector xx dB
FAFCSxxK	Single mode Attenuator - FC Connector xx dB
FAFCASxxK	Single mode Attenuator - FCA Connector xx dB
FALCSxxK	Single mode Attenuator - LC Connector xx dB
FALCASxxK	Single mode Attenuator - LCA Connector xx dB
FASTSxxK	Single mode Attenuator - ST Connector xx dB
FAMUSxxK	Single mode Attenuator - MU Connector xx dB

Replace xx with required dB from 00, 01, 02 to 30, e.g. FASTS01K is a Single mode Attenuator - ST Connector 1dB

Additional Images



Related Products

