



FIST® MSC (Modular Splice Closure), Empty housing, size C, without test valve

- Single ended o-ring sealed dome closure for high capacity splicing in a versatile and modular build
- Transient free and flexible FIST fiber management for optimized fiber routing and cable storage
- Fully removable base for easy cable access during installation and provisioning
- Compatible with high end environmental specifications for aerial, pedestal, underground or direct buried applications
- Superior gel sealing technology incorporated in interchangeable and fully wrap around gel segments
- Toolless and intuitive design in cable seals and cable attachments
- Compatible with a wide range of fiber cable sizes and types

Product Classification

Regional Availability	Australia/New Zealand EMEA Latin America
Product Type	Single-ended, round fiber closure
Product Brand	FIST®
Product Series	FIST-MSC

General Specifications

Cable Sealing Type	Gel kit (optional)
Closure Sealing Type	Dome-to-base clamp with O-ring
Closure Style	Single-ended
Color	Black
Mounting	Pole Strand Wall
Network Area Type	Distribution Feeder
Splice Tray Included, quantity	0
Splicing Capacity, Single Fusion, maximum	480
Splicing Type, Supported	Mass fusion Single fusion

Dimensions

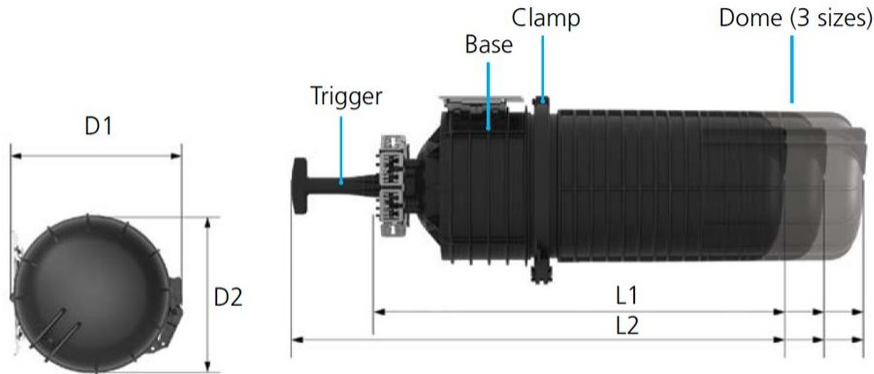
Length	622 mm 24.488 in
Length, with trigger	772 mm 30.394 in
Diameter	256 mm 10.079 in

760242623 | FIST-MSC-C8-N

Diameter, with clamp 291 mm | 11.457 in

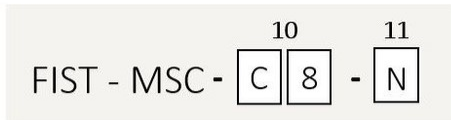
Main Cable Diameter, maximum 27 mm | 1.063 in

Dimension Drawing



L2 (total length) L1 (length excl. trigger) D1 (diameter with clamp) D2 (diameter without clamp)

Ordering Tree



Closure Size

10	C8	C-size closure with 20 UMS height
	D8	D-size closure with 36 UMS height
	E8	E-size closure with 52 UMS height
	F8	F-size closure with 60 UMS height

Closure Features

11	N	No trays, no test valve
	V	No trays, with test valve

Material Specifications

Material Type Impact-resistant polymer

Environmental Specifications

Operating Temperature	-40 °C to +65 °C (-40 °F to +149 °F)
Environmental Space	Above ground Below ground Buried Manhole
Qualification Standards	IEC 60529, IP68 + 5 m waterhead IEC 61753-1 Ed2 (2018)
Water Resistance	Flash test valve at 5 psi (40 kPa)

Packaging and Weights

Included	Dome with seal and clamp Innerframe Removable base
Packaging quantity	1
Packaging Type	Box Carton
Weight, net	8.5 kg 18.739 lb

Regulatory Compliance/Certifications

Agency	Classification
CHINA-ROHS	Below maximum concentration value
ISO 9001:2015	Designed, manufactured and/or distributed under this quality management system
REACH-SVHC	Compliant as per SVHC revision on www.commscope.com/ProductCompliance
ROHS	Compliant

