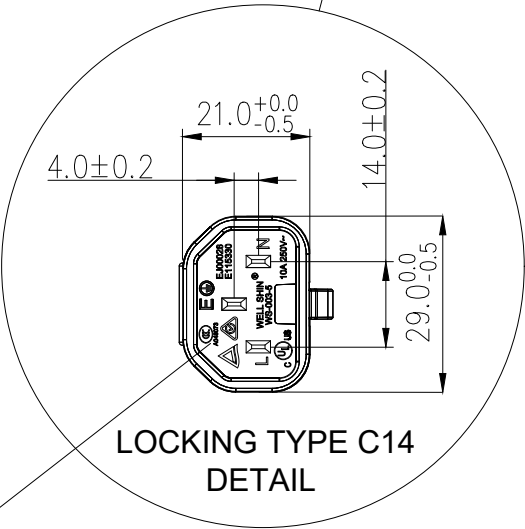
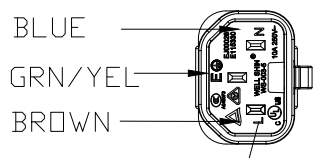
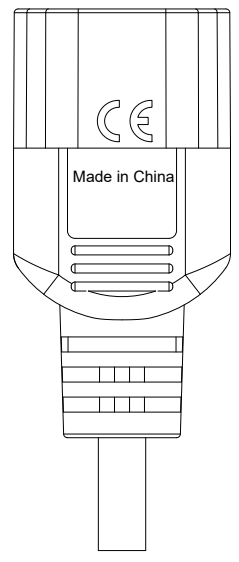
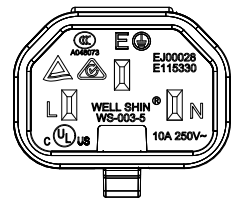


Customer info.		ECN No.	Drawing mark	Places	REV.	Sign	Date
REV.	PN						
--	--	--	--	--	A	Wanbin Liu	20210603

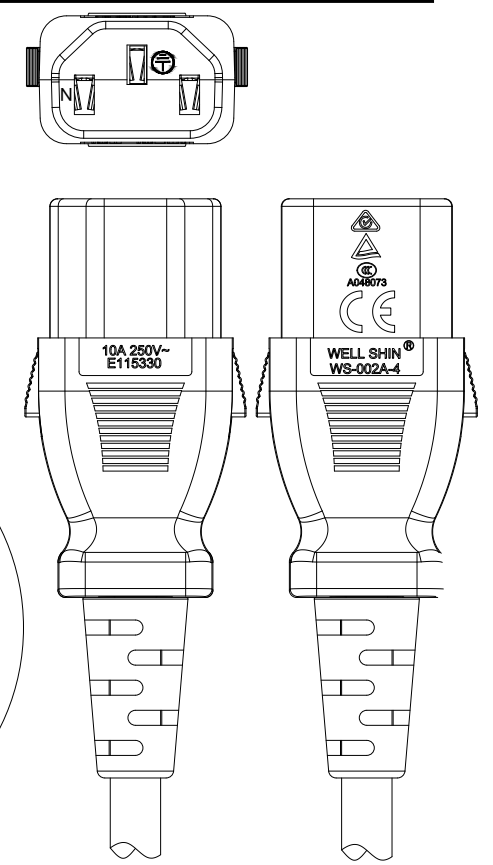
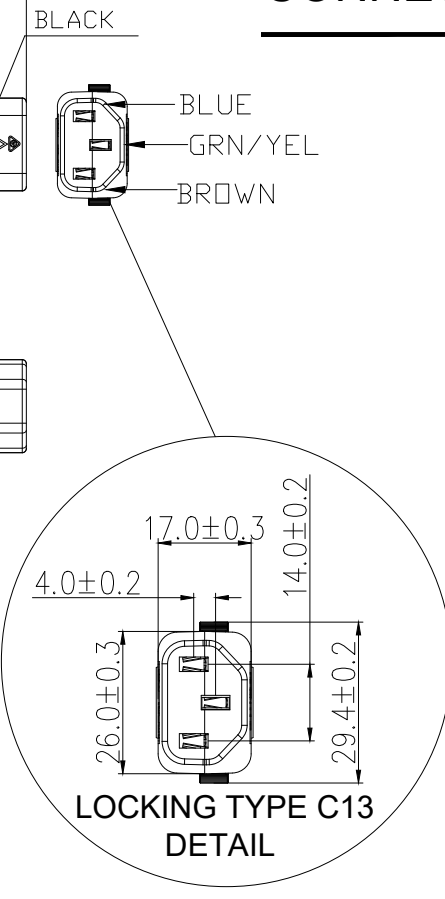
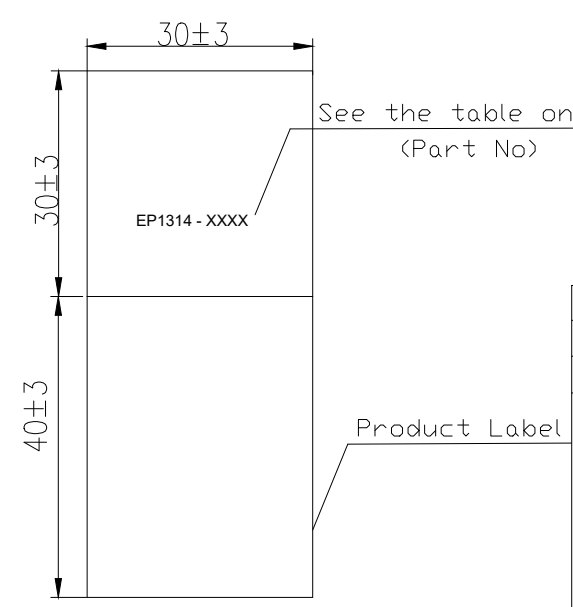
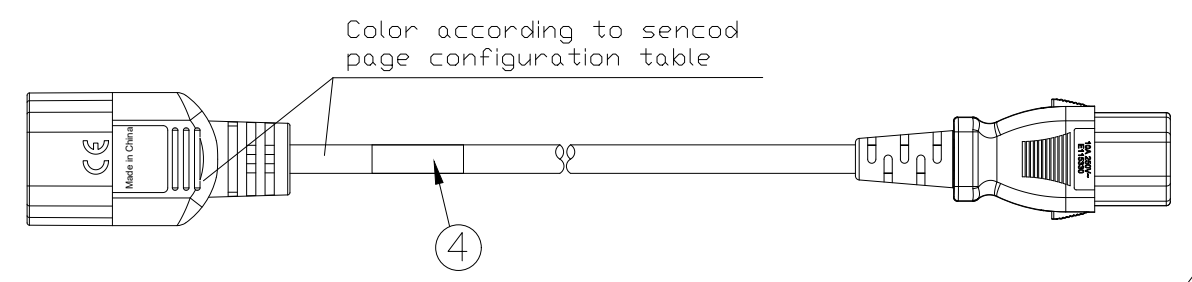
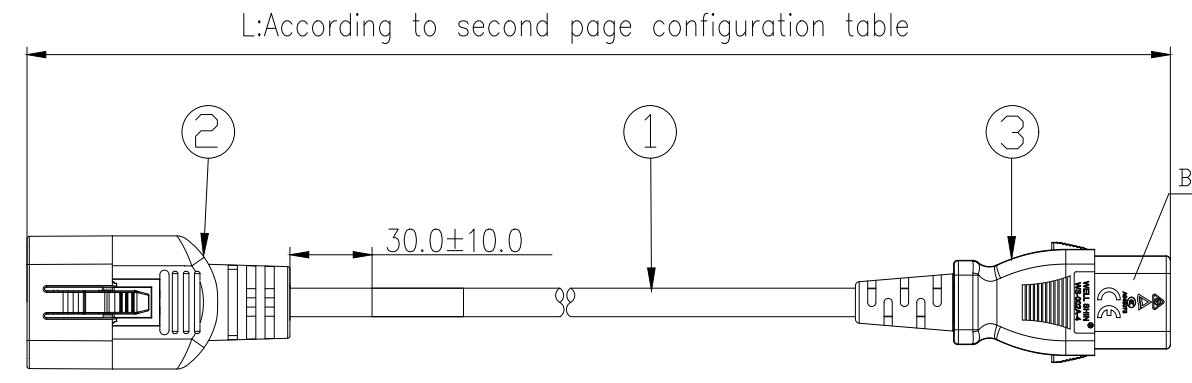
DESIGN (PDU)
ENGINEERING

PLUG APPROVALS

CONNECTOR APPROVALS



Only the black configuration use the CCC mark, the other configuration remove the CCC and number.



4		Product LABEL	1				
3	WS-002A-4	LOCKING TYPE C13 10A 250V~	1				
2	EJ00028	LOCKING TYPE C14 250V~	1				
1		C(UL)US E90165-K SJT 3x1.04mm ² (17AWG) 105°C 300V VW-1 WELL SHIN H05VV-F 3G 1.0mm ² <VDE> FIDNS IEMMEQU V-75 250/440V ORDINARY DUTY NSW24707 K-WELL SHIN CCC A048073 60227 IEC 53(RVV) 300/500V 3*1.0MM ² 维尔斯电子(昆山)有限公司	1				
Item	PN	Description	Qty	Material	PCS	TOL	Remark
					Weight		

- Notes:**
- The power cord defined by this document if where conflicting specifications are defines, please contact CIS engineer,
 - All components that make-up the cable assembly must be RoHS compliant.
 - All wire defined in this specification must less than 1000ppm of lead and less than 300ppm for the cable external materials.
 - All components need to be cULus/VDE or TUV approved and CE mark.
 - Tolerance: ±20mm (0<L≤1m(3.5FT)), ±50mm (1<L≤3m(9.8FT)), ±70mm (L>3m) (9.8FT))
 - C14 and power cord color see configuration table.

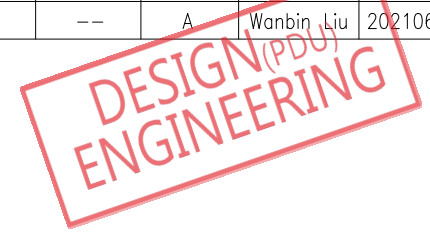
CISGLOBAL

泛亚电子工业无锡有限公司

Design	Wanbin Liu	Date	20210603
Check	Nate Wang	Date	20210603
Review	Talon Lv	Date	20210603
Approve	Hanson Xu	Date	20210603

Project	ENLOGIC JUMPER CORD		The seal is effective	
PN	810-01XXX-EP1314-XX*XX (EP1314-XX*XX)			
Title	LOCKING TYPE JUMPER CORD C13/C14		Weight	
Material	N/A		Scale	NA
			Unit	mm/kg
			Size	
			Page 1 of 2	

Customer info.		ECN No.	Drawing mark	Places	REV.	Sign	Date
REV.	PN						
--	--	--	--	--	A	Wanbin Liu	20210603



CONFIGURATION TABLE

Item	Part No	SKU No	STL P/N	Type	L[inch]	C14 cable color	C13 connect color	Cords spec	Authentication code	Cartons per pallet	Cords per carton
810-01857	EP1314-024	EP1314-024x150	PFC141.0/17EWL24	C13/C14	24	Black	Black	H05VV-F 1.0mm2, SJT 17AWG	CE/VDE/UL	24	150
810-01858	EP1314-036	EP1314-036x125	PFC141.0/17EWL36	C13/C14	36	Black	Black	H05VV-F 1.0mm2, SJT 17AWG	CE/VDE/UL	24	125
810-01859	EP1314-048	EP1314-048x125	PFC141.0/17EWL48	C13/C14	48	Black	Black	H05VV-F 1.0mm2, SJT 17AWG	CE/VDE/UL	24	125
810-01860	EP1314-072	EP1314-072x100	PFC141.0/17EWL72	C13/C14	72	Black	Black	H05VV-F 1.0mm2, SJT 17AWG	CE/VDE/UL	24	100
810-01861	EP1314-096	EP1314-096x75	PFC141.0/17EWL96	C13/C14	96	Black	Black	H05VV-F 1.0mm2, SJT 17AWG	CE/VDE/UL	24	75
810-01862	EP1314-120	EP1314-120x60	PFC141.0/17EWL120	C13/C14	120	Black	Black	H05VV-F 1.0mm2, SJT 17AWG	CE/VDE/UL	24	60
810-01863	EP1314-B24	EP1314-B24x150	PFC141.0/17EWL24B	C13/C14	24	Blue PT285C	Black	H05VV-F 1.0mm2, SJT 17AWG	CE/VDE/UL	24	150
810-01864	EP1314-B36	EP1314-B36x125	PFC141.0/17EWL36B	C13/C14	36	Blue PT285C	Black	H05VV-F 1.0mm2, SJT 17AWG	CE/VDE/UL	24	125
810-01865	EP1314-B48	EP1314-B48x125	PFC141.0/17EWL48B	C13/C14	48	Blue PT285C	Black	H05VV-F 1.0mm2, SJT 17AWG	CE/VDE/UL	24	125
810-01866	EP1314-B72	EP1314-B72x100	PFC141.0/17EWL72B	C13/C14	72	Blue PT285C	Black	H05VV-F 1.0mm2, SJT 17AWG	CE/VDE/UL	24	100
810-01867	EP1314-B96	EP1314-B96x75	PFC141.0/17EWL96B	C13/C14	96	Blue PT285C	Black	H05VV-F 1.0mm2, SJT 17AWG	CE/VDE/UL	24	75
810-01868	EP1314-B120	EP1314-B120x60	PFC141.0/17EWL120B	C13/C14	120	Blue PT285C	Black	H05VV-F 1.0mm2, SJT 17AWG	CE/VDE/UL	24	60
810-01869	EP1314-R24	EP1314-R24x150	PFC141.0/17EWL24R	C13/C14	24	Red 187C	Black	H05VV-F 1.0mm2, SJT 17AWG	CE/VDE/UL	24	150
810-01870	EP1314-R36	EP1314-R36x125	PFC141.0/17EWL36R	C13/C14	36	Red 187C	Black	H05VV-F 1.0mm2, SJT 17AWG	CE/VDE/UL	24	125
810-01871	EP1314-R48	EP1314-R48x125	PFC141.0/17EWL48R	C13/C14	48	Red 187C	Black	H05VV-F 1.0mm2, SJT 17AWG	CE/VDE/UL	24	125
810-01872	EP1314-R72	EP1314-R72x100	PFC141.0/17EWL72R	C13/C14	72	Red 187C	Black	H05VV-F 1.0mm2, SJT 17AWG	CE/VDE/UL	24	100
810-01873	EP1314-R96	EP1314-R96x75	PFC141.0/17EWL96R	C13/C14	96	Red 187C	Black	H05VV-F 1.0mm2, SJT 17AWG	CE/VDE/UL	24	75
810-01874	EP1314-R120	EP1314-R120x60	PFC141.0/17EWL120R	C13/C14	120	Red 187C	Black	H05VV-F 1.0mm2, SJT 17AWG	CE/VDE/UL	24	60

- Notes:
- The power cord defined by this document if where conflicting specifications are defines, please contact CIS engineer,
 - All components that make-up the cable assembly must be RoHS compliant.
 - All wire defined in this specification must less than 1000ppm of lead and less than 300ppm for the cable external materials.
 - All components need to be cULus/VDE or TUV approved and CE mark.
 - Tolerance:±20mm (0<L≤1m(3.5FT)), ±50mm (1<L≤3m(9.8FT)), ±70mm (L>3m) (9.8FT))
 - C14 and power cord color see configuration table.

CISGLOBAL				Project ENLOGIC JUMPER CORD		The seal is effective	
				PN 810-01XXX-EP1314-XX*XX (EP1314-XX*XX)			
泛亚电子工业无锡有限公司				Title LOCKING TYPE JUMPER CORD C13/C14		Scale NA	
Design	Wanbin Liu	Date	20210603	Material N/A		Unit mm/kg	
Check	Nate Wang	Date	20210603			Size	
Review	Talon Lv	Date	20210603			Page 2 of 2	
Approve	Hanson Xu	Date	20210603				