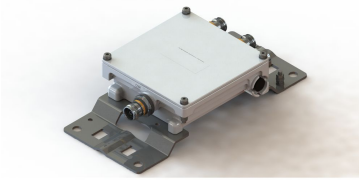


E14F06P32



Ultra Compact Single Diplexer 1350-1880/1920-2690, 4.3-10 connectors

- Ideal for small cell applications
- Compact form factor with reduced size and weight
- Suitable for space limited applications like Metro Cell, Lamp Pole, Concealment Solution and Macro Site
- New 4.3-10 connectors for improved PIM performance and size reduction
- Single configuration

Product Classification

Product Type Diplexer

General Specifications

Color Gray

Modularity 1-Single

Mounting Pole | Wall

Mounting Pipe Hardware Band clamps (2)

RF Connector Interface 4.3-10 Female

Dimensions

Height 48 mm | 1.89 in

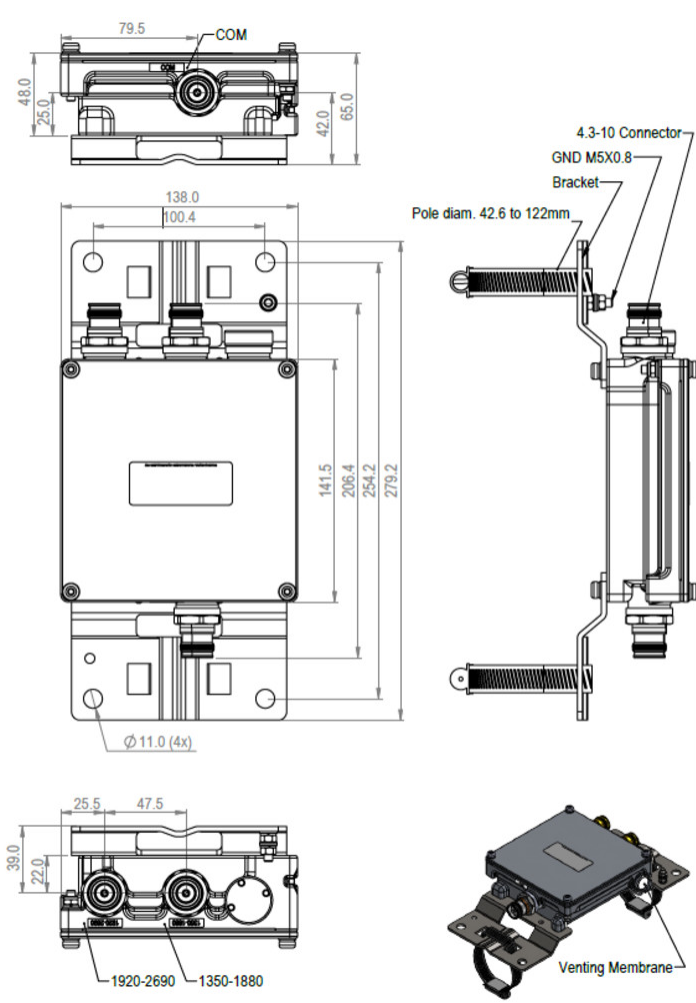
Width 138 mm | 5.433 in

Depth 141.5 mm | 5.571 in

Mounting Pipe Diameter Range 42.6–122 mm

Outline Drawing

E14F06P32



Electrical Specifications

Impedance 50 ohm

Electrical Specifications, dc Power/Alarm

dc/AISG Pass-through Method No dc/AISG pass-through
dc/AISG Pass-through, combiner dc/AISG blocking on all ports
dc/AISG Pass-through, demultiplexer dc/AISG blocking on all ports
Lightning Surge Current 5 kA
Lightning Surge Current Waveform 8/20 waveform

Electrical Specifications

Sub-module

1 | 2

1 | 2

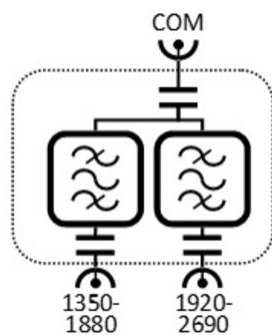
E14F06P32

Branch	1	2
Port Designation	PORT 1 1350-1880	PORT 2 1920-2690

Electrical Specifications, Band Pass

	1350–1880	1920–2690
Frequency Range, MHz		
Insertion Loss, typical, dB	0.25	0.2
Return Loss, typical, dB	22	22
Isolation, typical, dB	38	38
Input Power, RMS, maximum, W	100	100
Input Power, PEP, maximum, W	1000	1000
3rd Order PIM, typical, dBc	-162	-162
3rd Order PIM Test Method	Two +43 dBm carriers	Two +43 dBm carriers

Block Diagram



Environmental Specifications

Operating Temperature	-40 °C to +65 °C (-40 °F to +149 °F)
Corrosion Test Method	IEC 60068-2-11, 30 days
Environmental Test Method	ETSI EN 300 019-1-4
Ingress Protection Test Method	IEC 60529:2001, IP67

Packaging and Weights

Included	Mounting hardware
Volume	0.95 L
Weight, net	2 kg 4.409 lb
Weight, without mounting hardware	1.5 kg 3.307 lb